

# 15M MULTI-PURPOSE ATTACK CRAFT

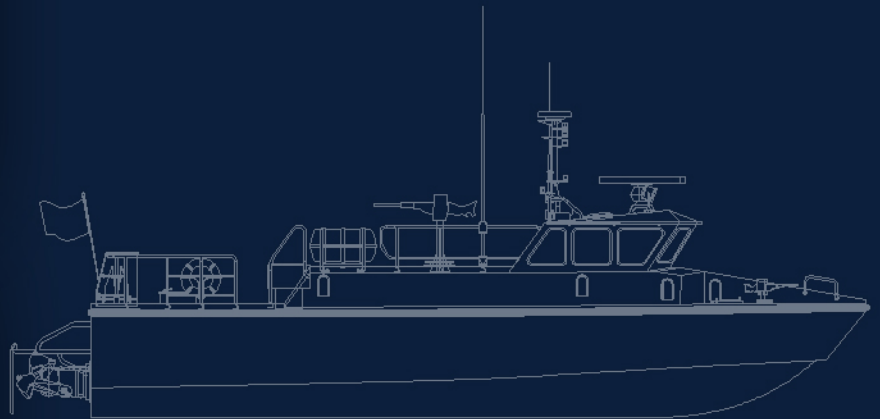
We insist each boat as a work of art.



NAVY



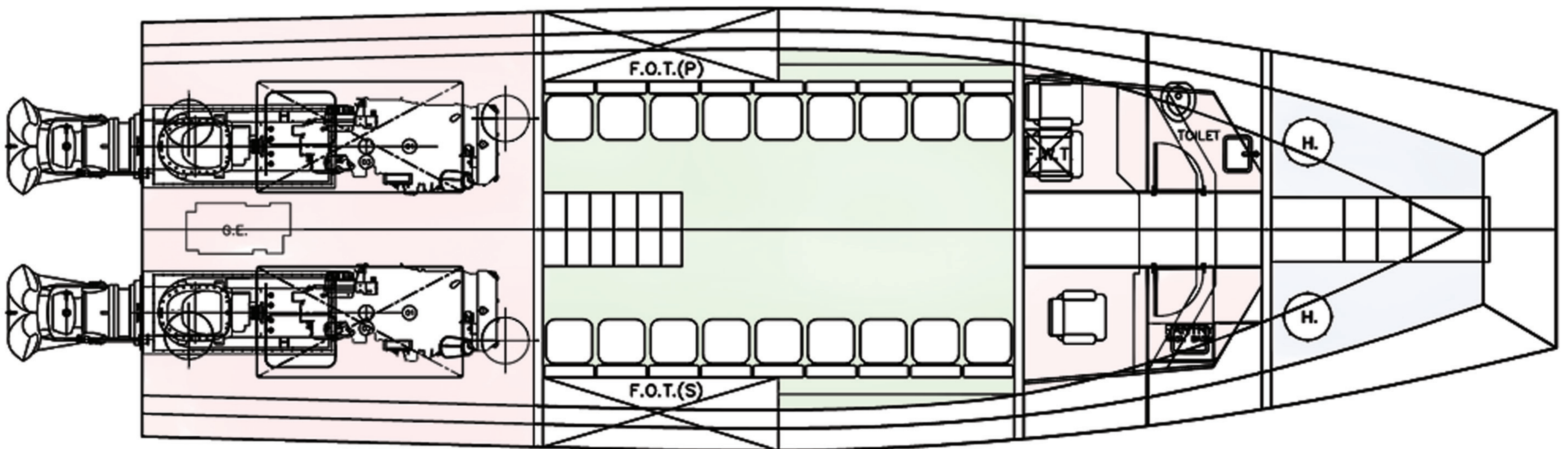
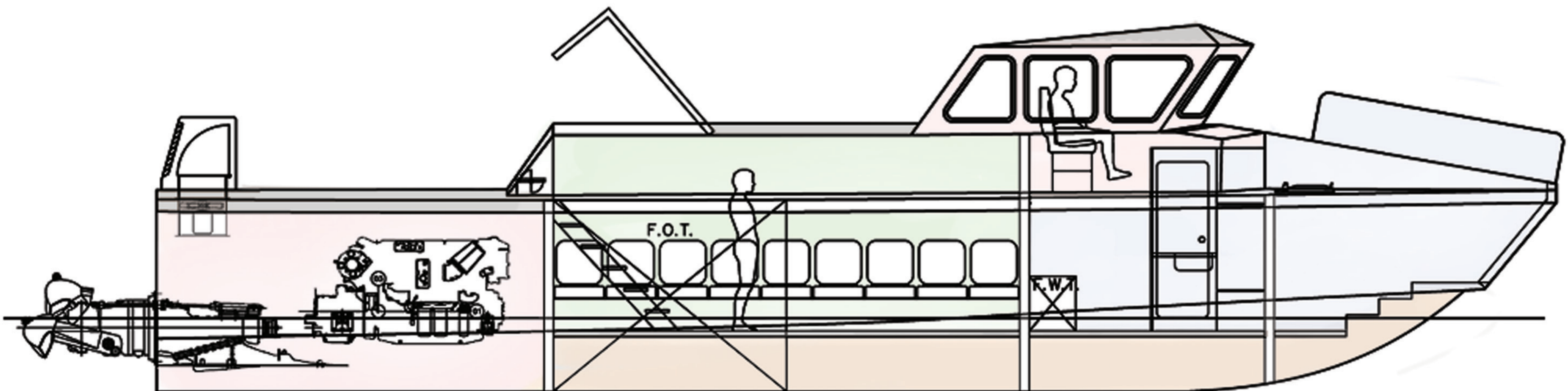
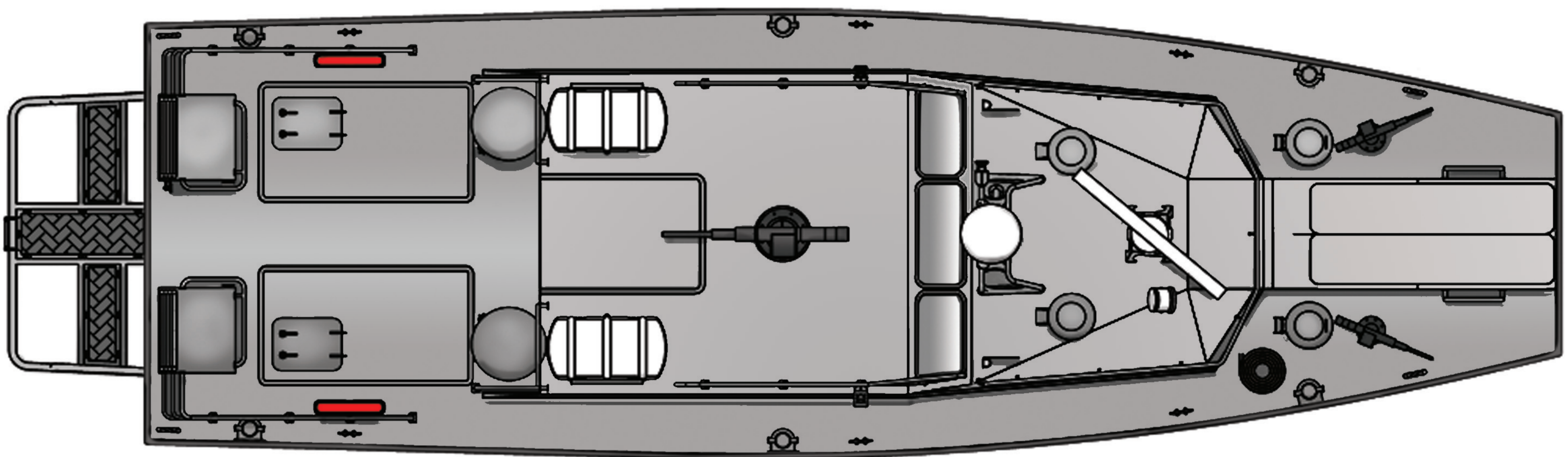
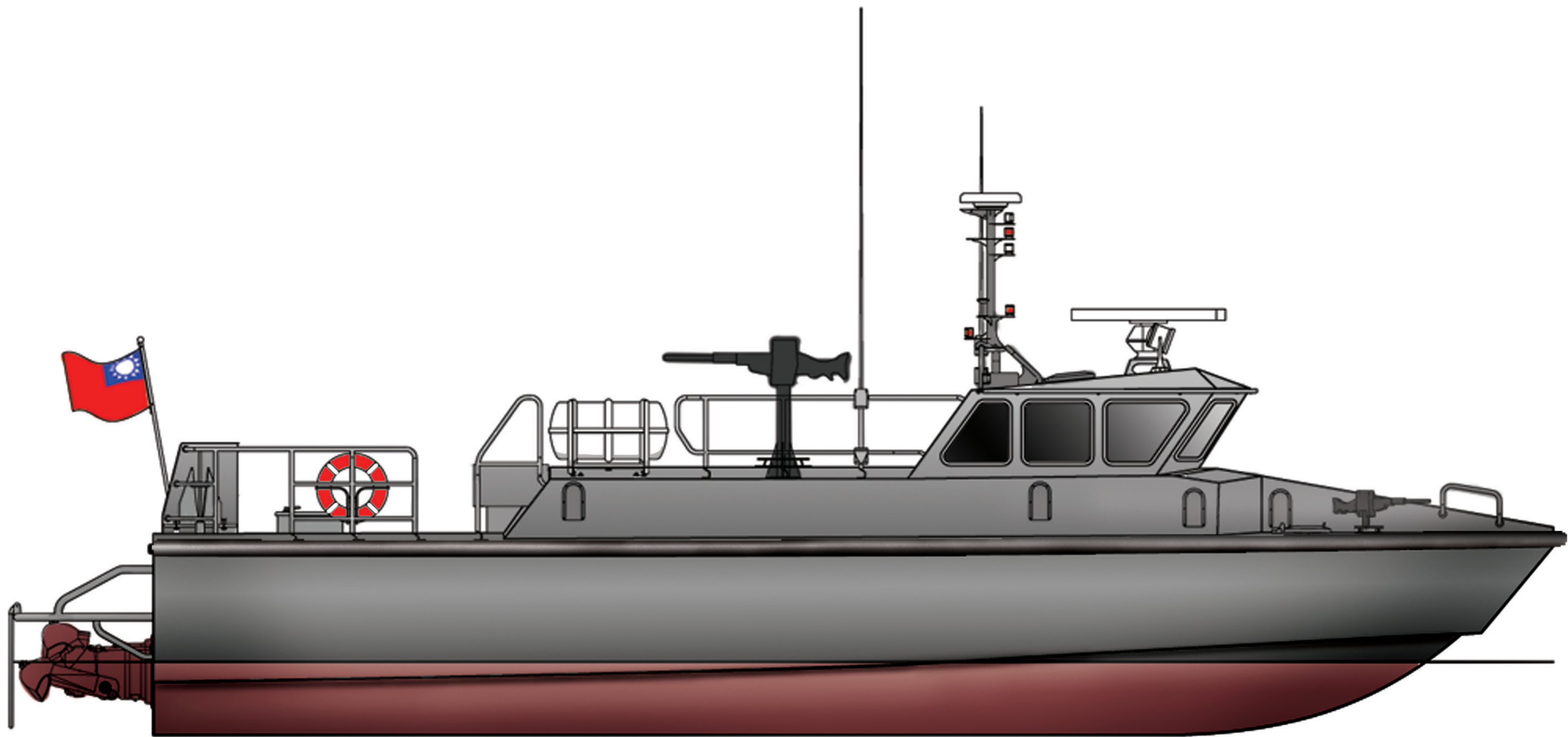
Ballistic Resistance Panel



## PRINCIPAL PARTICULARS

LENGTH O.A.	15 M
BREADTH MLD.	4.76 M
DEPTH MLD.	2.10 M
DESIGN DRAFT MLD.	0.92 M
MAXIMUM SPEED	40.00 Kts
COMPLEMENT	21 P





1065 1065 670 700 750 833 833 833 833 833 833 875 875 875 875 750 750 750  
 F00 F01 F02 F03 F04 F05 F06 F07 F08 F09 F10 F11 F12 F13 F14 F15 F16 F17 F18  
 000 1065 2130 2600 3500 4250 5083 5917 6750 7583 8417 9250 10125 11000 11875 12750 13500 14250 15000



LUNG TEH SHIPBUILDING CO.,LTD.

TEL:+886-3-9966118, FAX:+886-3-9966117

P.O.BOX 23, SU-AO TOWN, I-LAN, TAIWAN

e-mail: [sales@ms.lts.com.tw](mailto:sales@ms.lts.com.tw) web-site: [www.lts.com.tw](http://www.lts.com.tw)